

Core Sand Mixer Project Worksheet

Date: _____

Customer Information

Customer Name: _____

Company Contact: _____ Title: _____

Address: _____

City: _____ State: _____ Zip: _____

Country: _____

Phone: _____ Email: _____

Place of Installation: _____

Sand Specifications

Material: _____

Capacity [t/h]: _____

Moisture [%]: _____

Grain Size (mm): _____

Bulk Density (kg/m): _____

Product Temperature [°C]: _____

Core Sand Mixer

Cold Box or Hot Box: _____

Quantity of injections: _____

Material of injection: Brass

Stainless Steel 1.4301

Membrane Valve

Membrane material: PTFE EPDM FKM

Valve block material: (CW617M) Brass (1.4435) Fine Casting (1.4408) Fine Casting

Forged body Forged body Fe<0,5% (1.4539) Forged body

Medium to be dosed (data sheets): _____

RETURN TO: Simpson Technologies

751 Shoreline Drive, Aurora, IL 60504-6194

Or email: sales.us@simpsongroup.com or your local representative

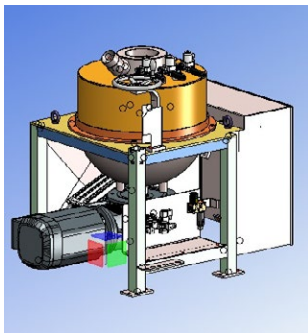
Core Sand Mixer Project Worksheet

Core Sand Mixer

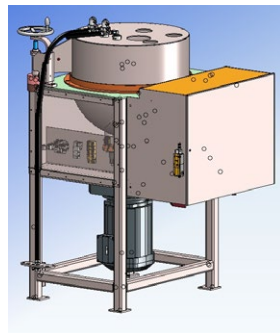
Please indicate dosing quantity in the table:

Additive	Form	Bulk weight kg/dm	Quantity in %
Silica sand	Grain 0-1 mm	1,3 - 1,55	
Solid resin	Flakes 2-3 mm thick	0,6 - 0,8	
Liquid resin	Liquid	1,10 - 1,15	
CA-Stearat	Powdery	0,25 - 0,35	
Water	Liquid	1,00	
Hexa solution	Liquid	1,075	
Silicone oil	Liquid	0,98 - 1,00	
Hämatit Fe ₂ O ₃	Grain to powdery	2,5	
Magnetit Fe ₃ O ₄	Grain to powdery	2,3	
Resol	Liquid	1,1	
Vinsol	Powdery	0,4 - 0,5	
Clay (Bentonit)	Powdery	0,8	

Design flat or Standard:



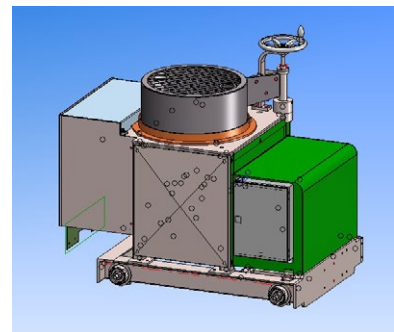
Design flat



Design standard

Mobile: Yes

No



Electrical equipment: Wired to terminal box With ASI Module Complete control

Motor voltage and frequency (V/Hz): _____

Ambient temperature max-min (°C): _____

Drawing installation situation available: _____ Desired delivery date: _____

Special requirements: